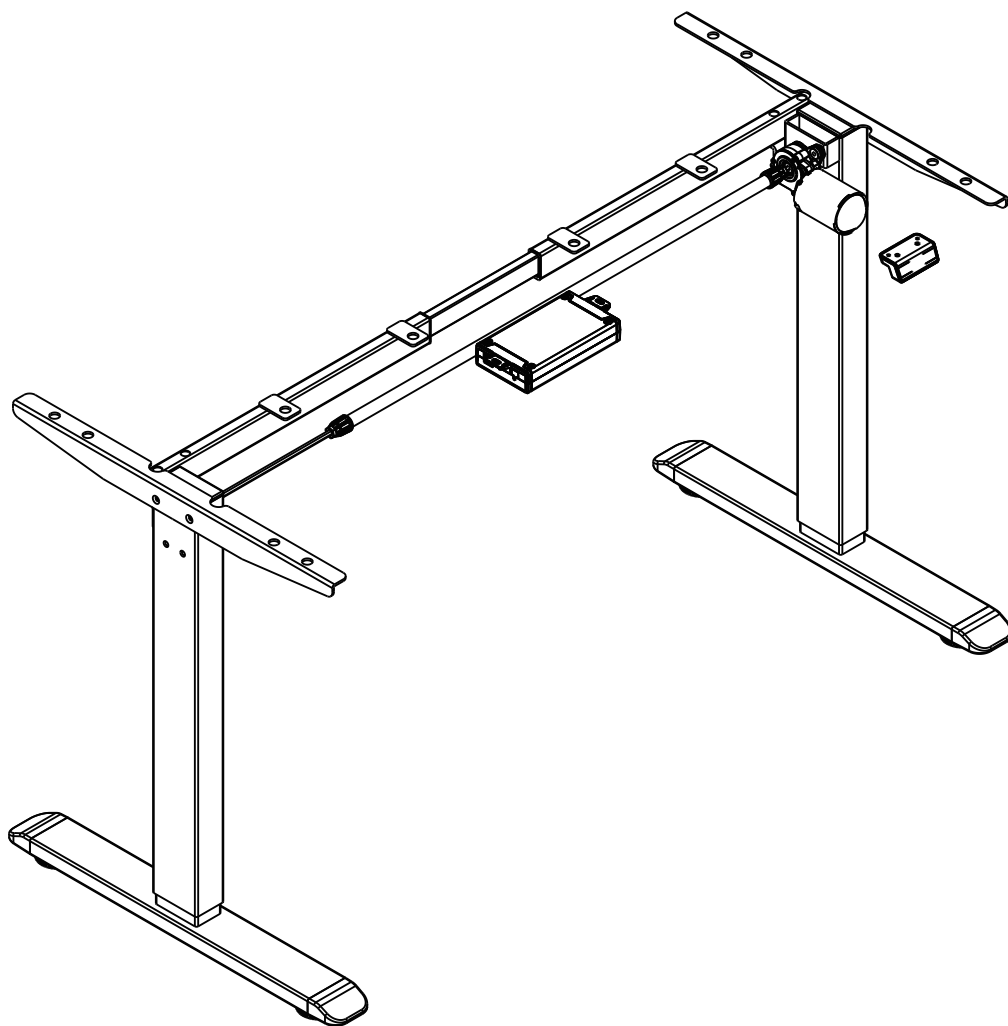


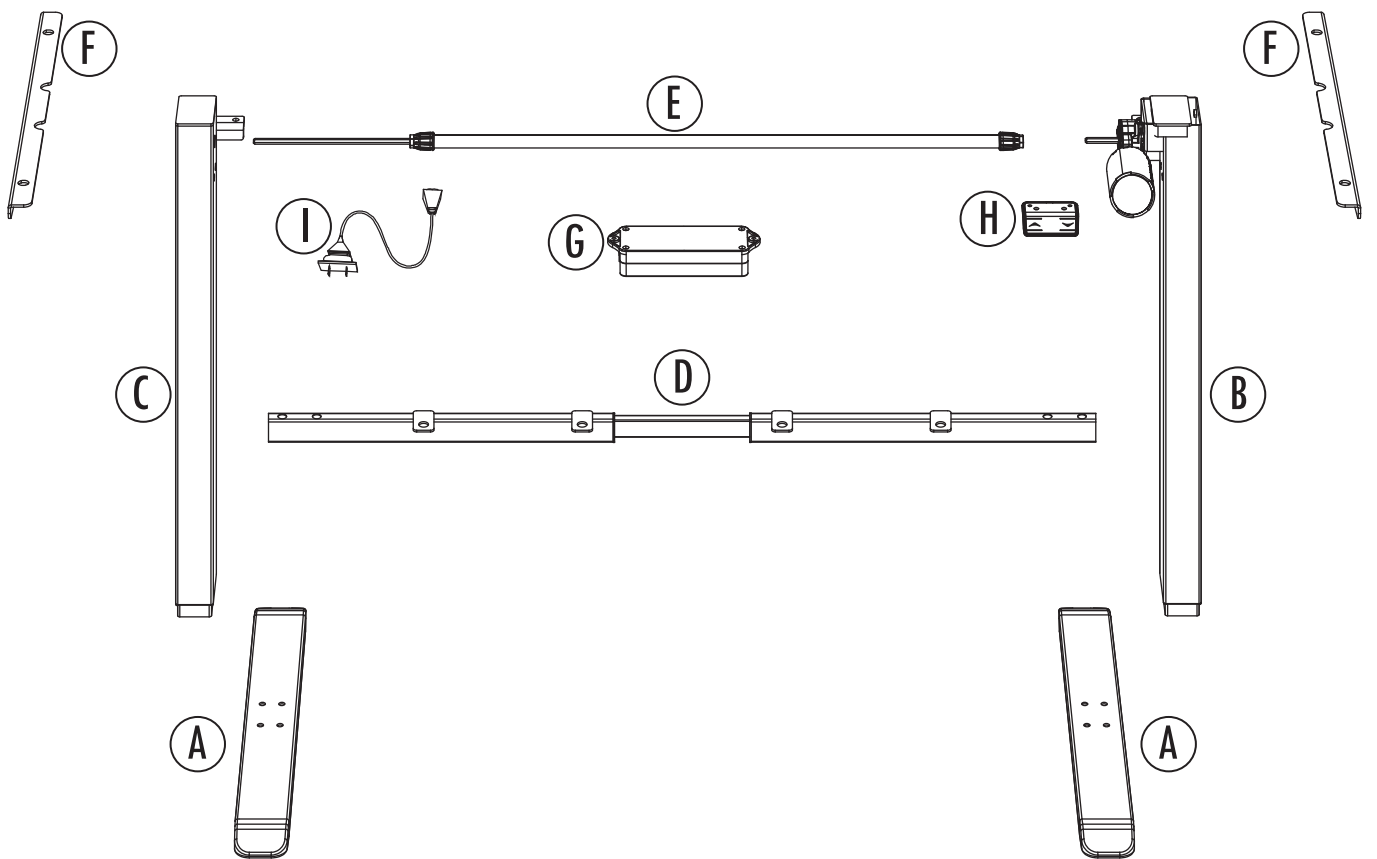
Assembly and Operating Instructions

Electric table base

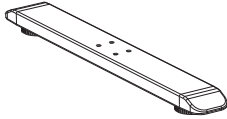





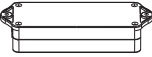


VL12



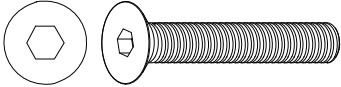


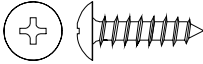
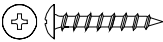
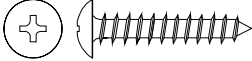
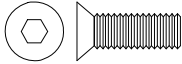

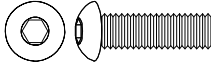


Exploded Drawing



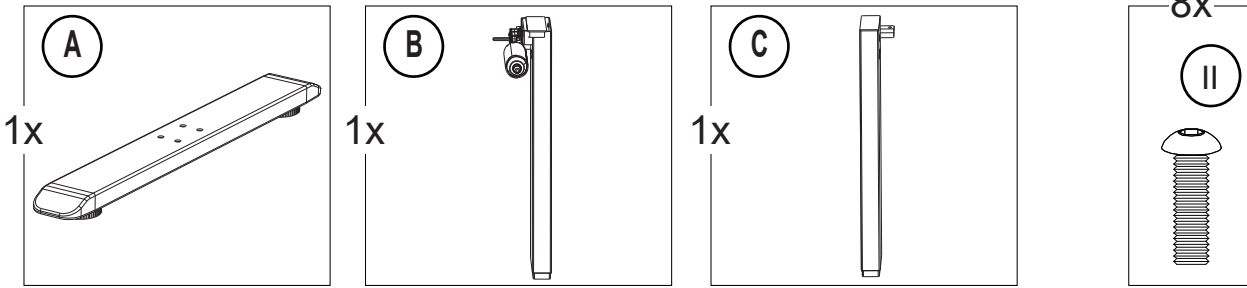
Parts List

Label	Description	Qty	Part Image
A	Feet	2	
B	Column with Motor	1	
C	Column without Motor	1	
D	Crossbar	1	
E	Transferbar	1	
F	Side Bracket	2	
G	Control Box	1	
H	Keypad	1	
I	Power Cord	1	

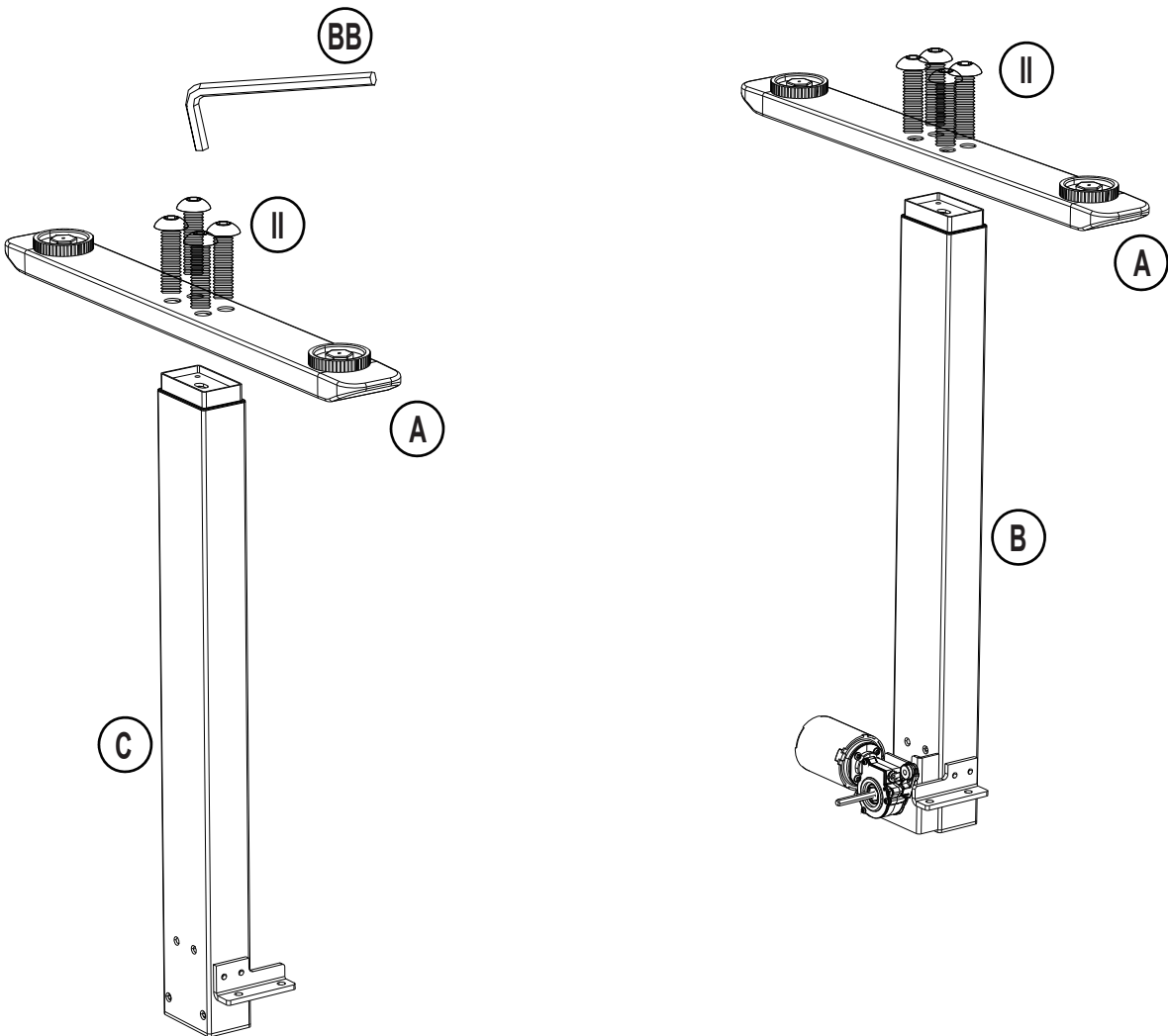
Hardware Pack

Label	Description	Qty	Spare	Part Image
AA	M8*50 Bolt	4	0	
BB	Allen Key 4mm	1	0	
CC	Allen Key 5mm	1	0	
DD	ST4.8*19 Screw	2	1	
EE	ST3.5*19 Screw	2	1	
FF	ST4.8*25 Screw	12	1	
GG	M6*12 Bolt	4	1	
HH	Clips	5	0	
II	M6*14 Bolt	8	1	
JJ	Rubber Cushion	0	2	
KK	Plastic Pad	0	2	

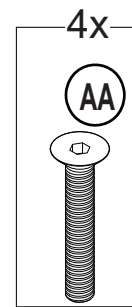
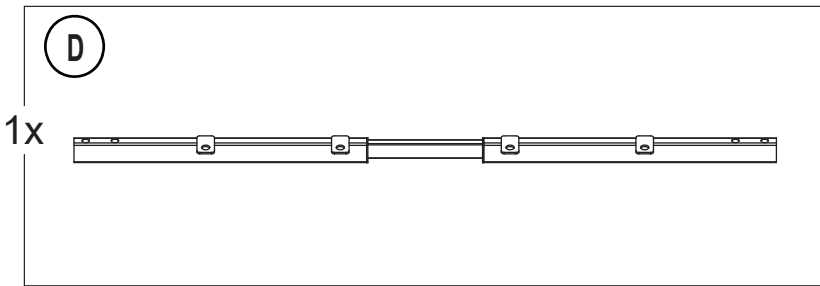
1



Assembly feet **A** with column **B** and **C**, use 4 pcs **II** to screw each feet.



2

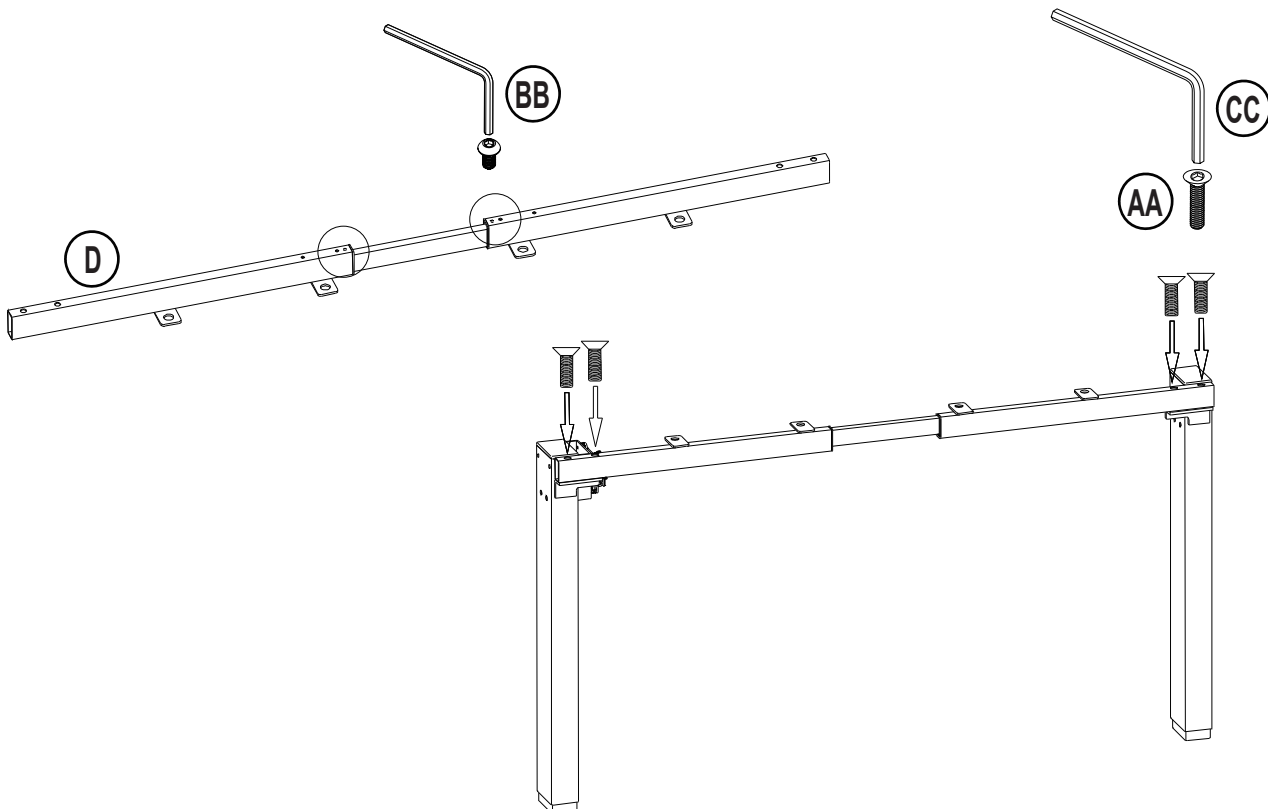


(1) Adjust frame length

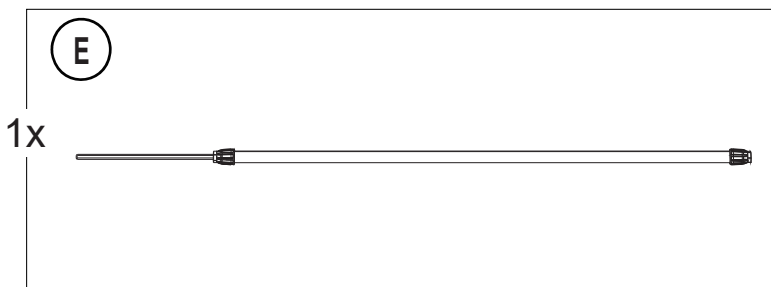
- Place the worksurface facing down on a soft, clean surface.
- Center the frame, front to back on the worksurface.
- Use Allen key **BB** to loosen all four M6x10 screws in the frame **D**.
- Expand the length so that its ends are 1" to 2" distance from the edges of the worksurface.
- Tighten the M6x10 screws to fix the length.

(2) Assembly frame

- Put the fixed frame **D** on the column **B** and **C**, screw them with 2 pcs **AA** each side.
- Fix the **B** column first. After fastening the **B** column with frame **D**, then screw the **C** side.
- Don't install the frame **D** upside down. The side without fixed screws should face up.



3

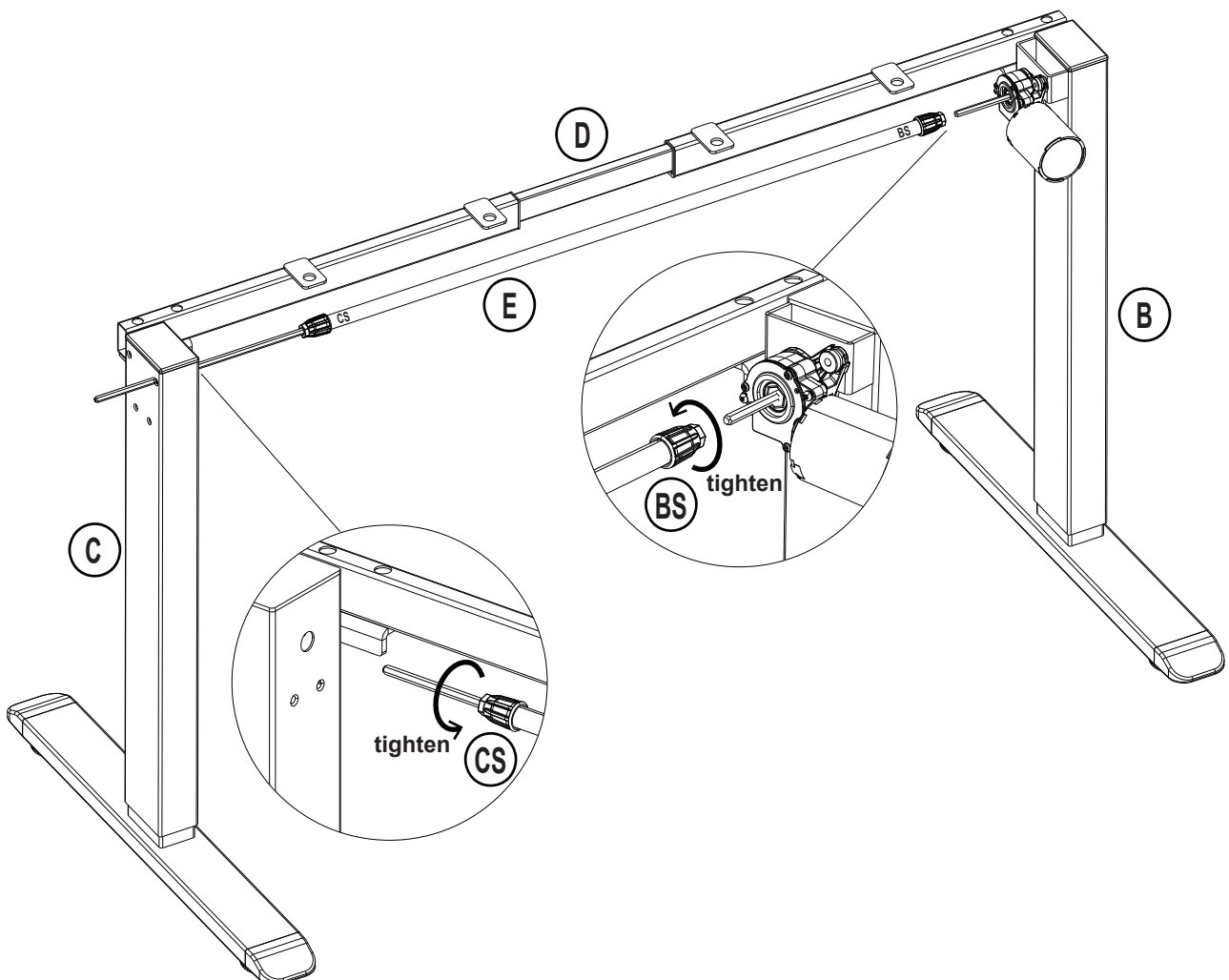


Assembly transferbar **E** with **B** and **C** column. The transferbar has two side, one is “**BS**”, another is “**CS**”.

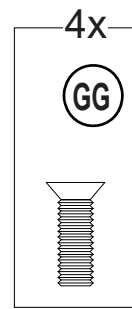
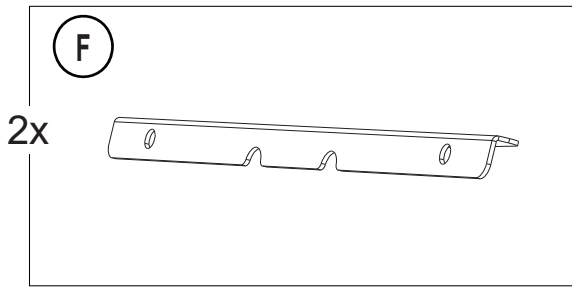
(1) First loosen the black plastic nut on the “**BS**”, put the “**BS**” nut on the motor hexagon bar.

(2) Second loosen the black plastic nut on the “**CS**”, insert the crossbar into the **C** column to the end. Then pull the crossbar jacket to cross the “**BS**” plastic nut, and screwing the nut.

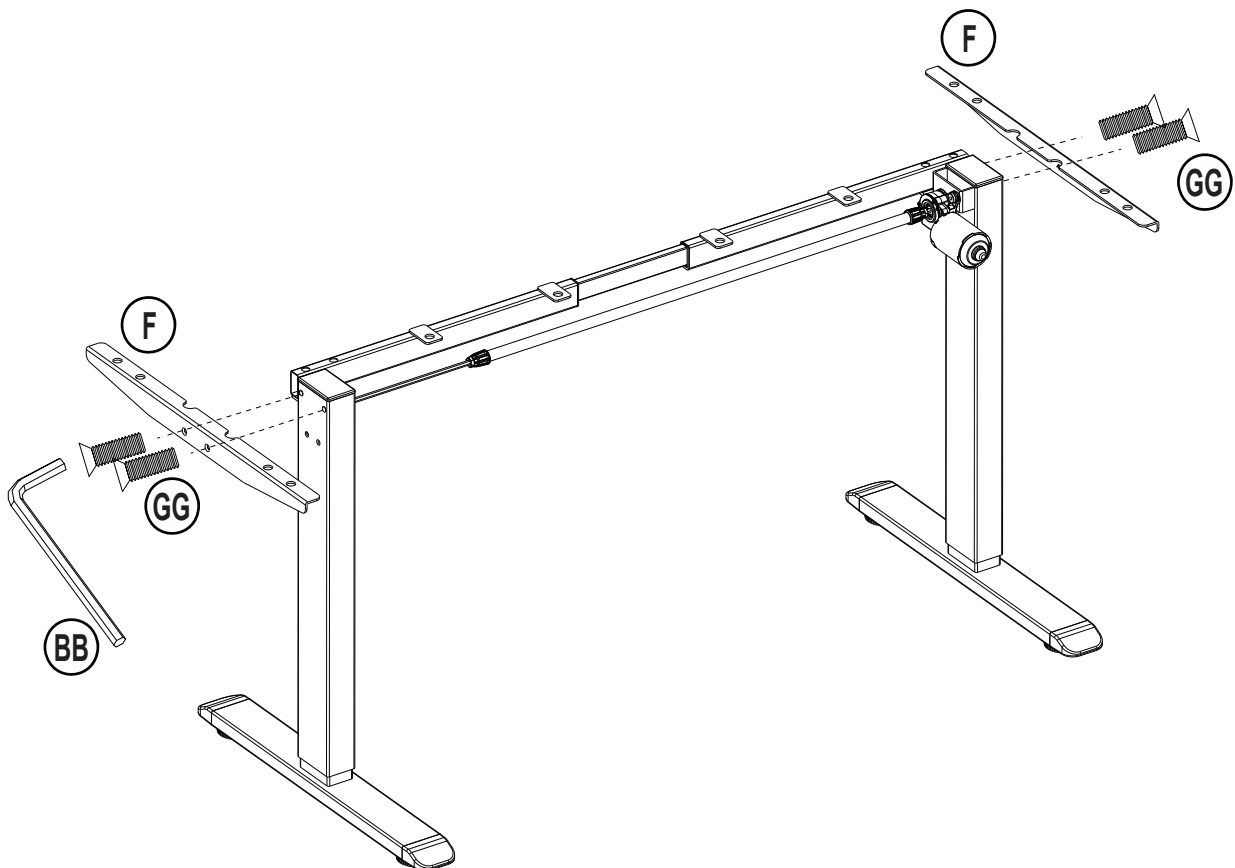
(3) Finally screwing the “**CS**” plastic nut, and make sure the crossbar was fully tightened on the column **B** and **C**.



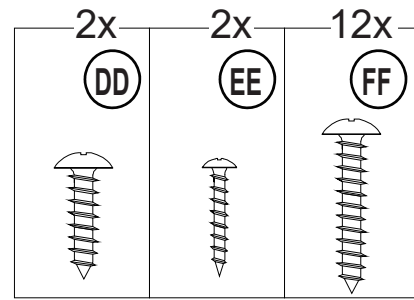
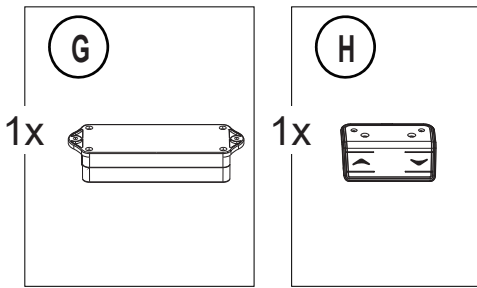
4



Screw the bracket **F** on the column with 2 pcs **GG** each side.



5



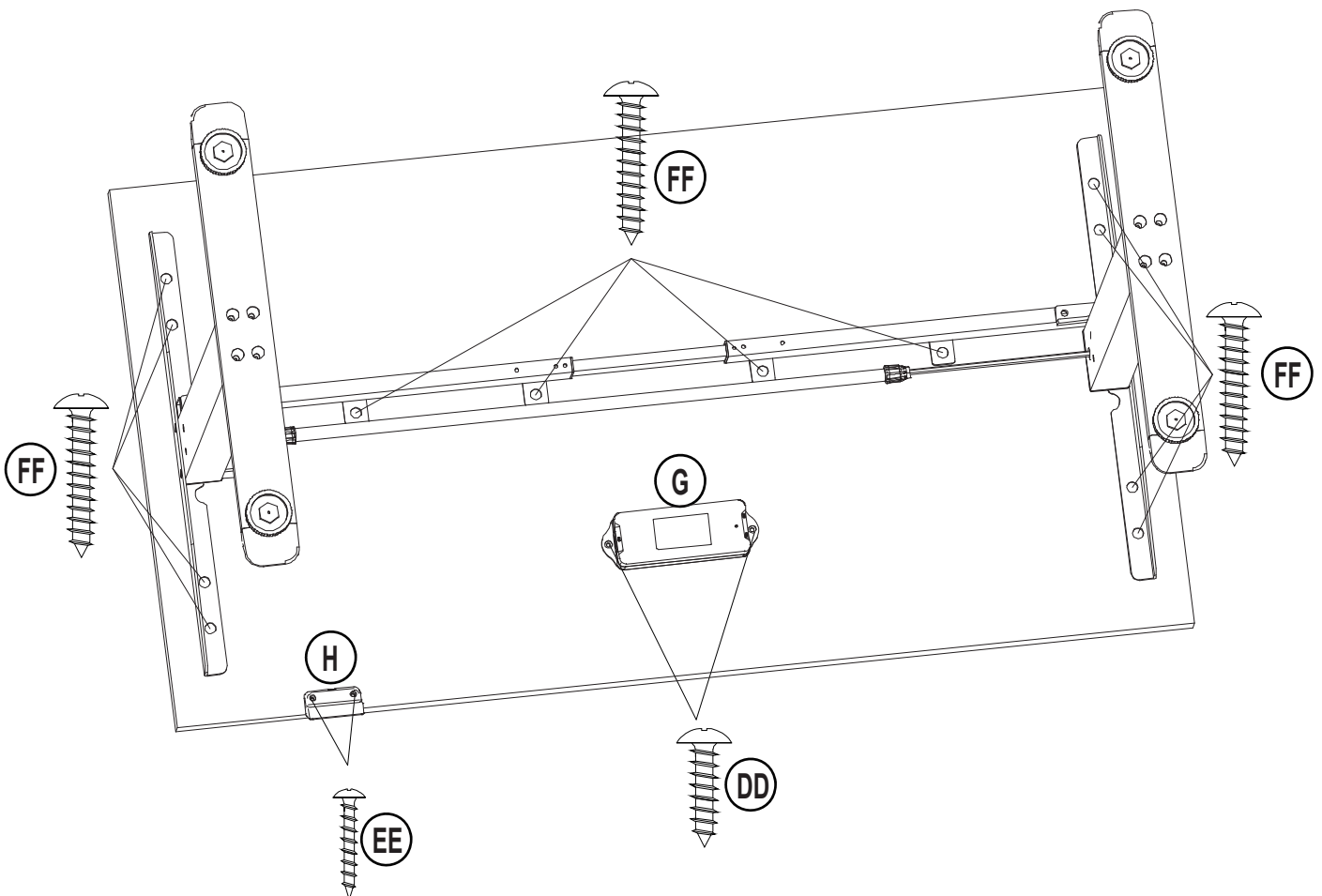
Secure desk base to desktop

(1) Turn the base up side down and center it onto desktop.

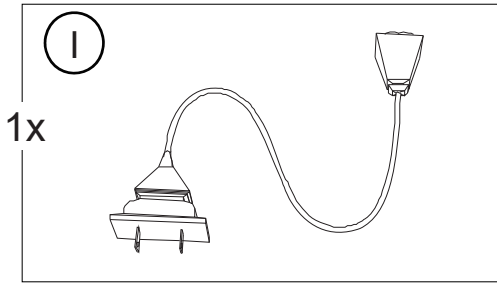
(2) Secure the base to the desktop with 12 pcs **FF** screw.

•Screw the **H** keypad with 2 pcs **EE** on the desktop.

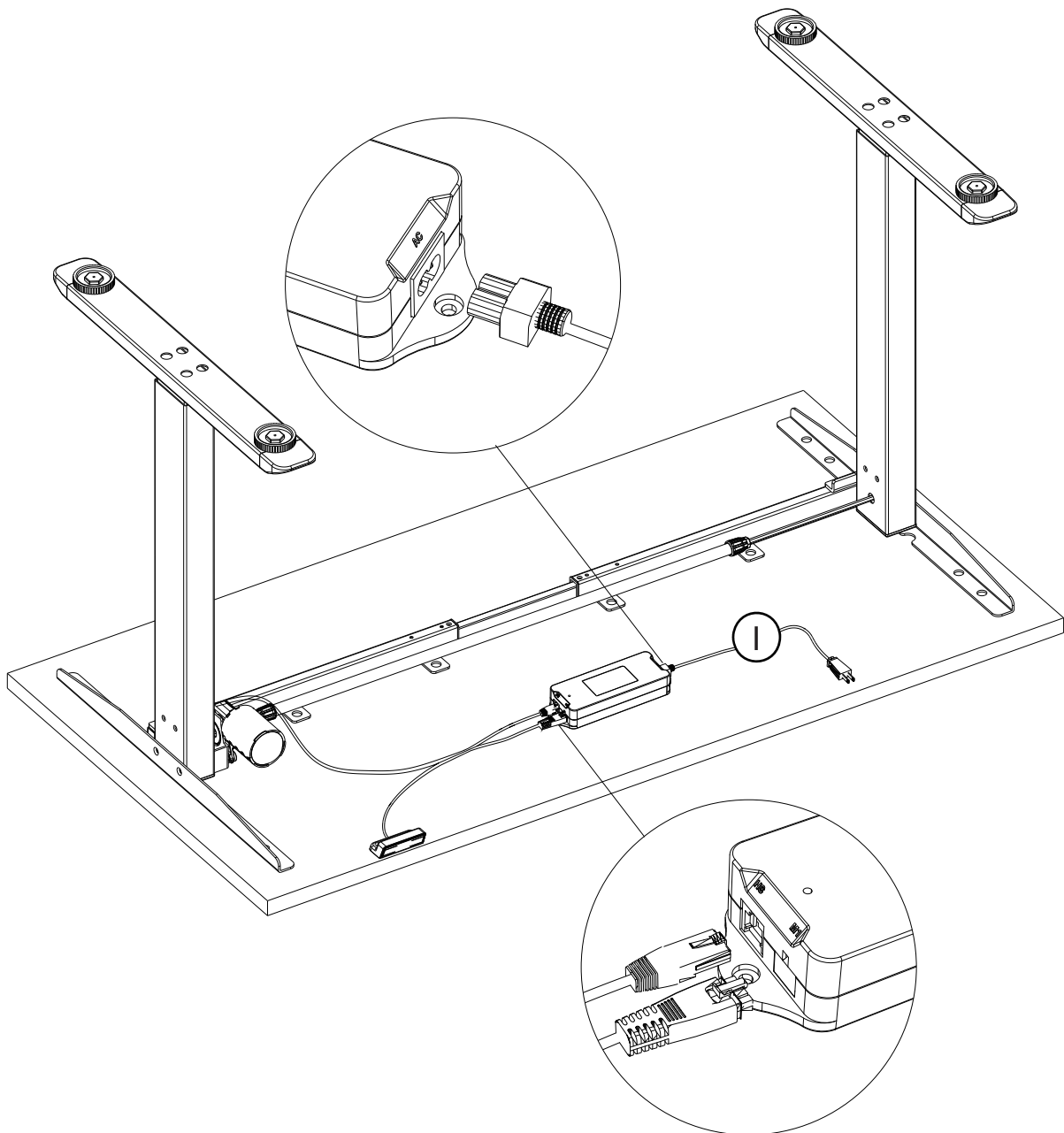
•Screw the **G** control box with 2 pcs **DD** on the desktop.



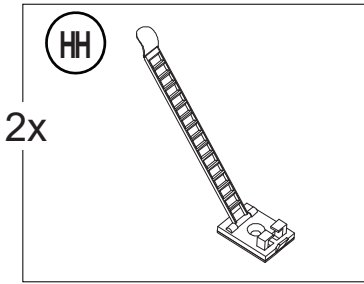
6



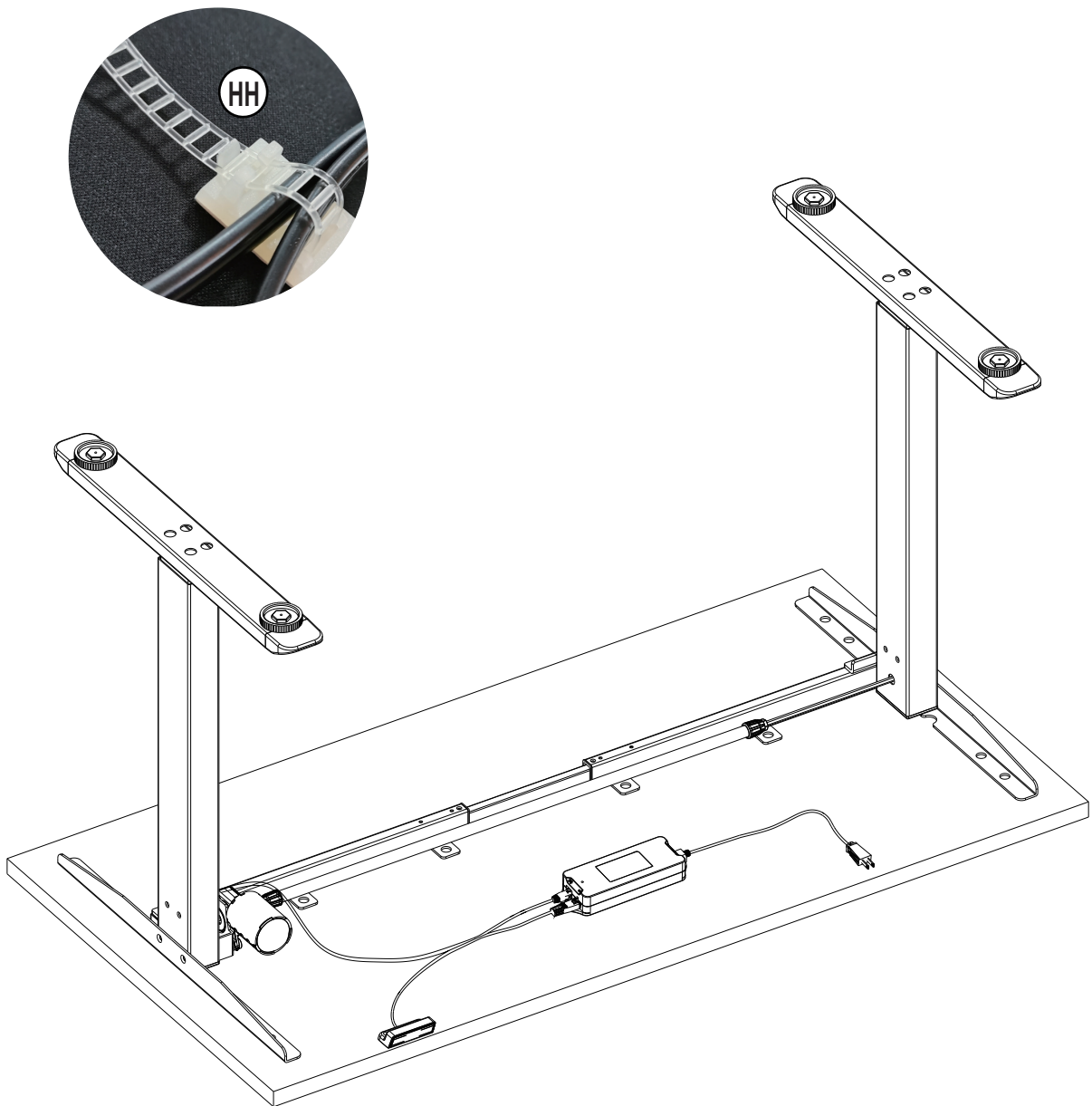
Connect 2 motor wires and 1 power plug into the control box.



7



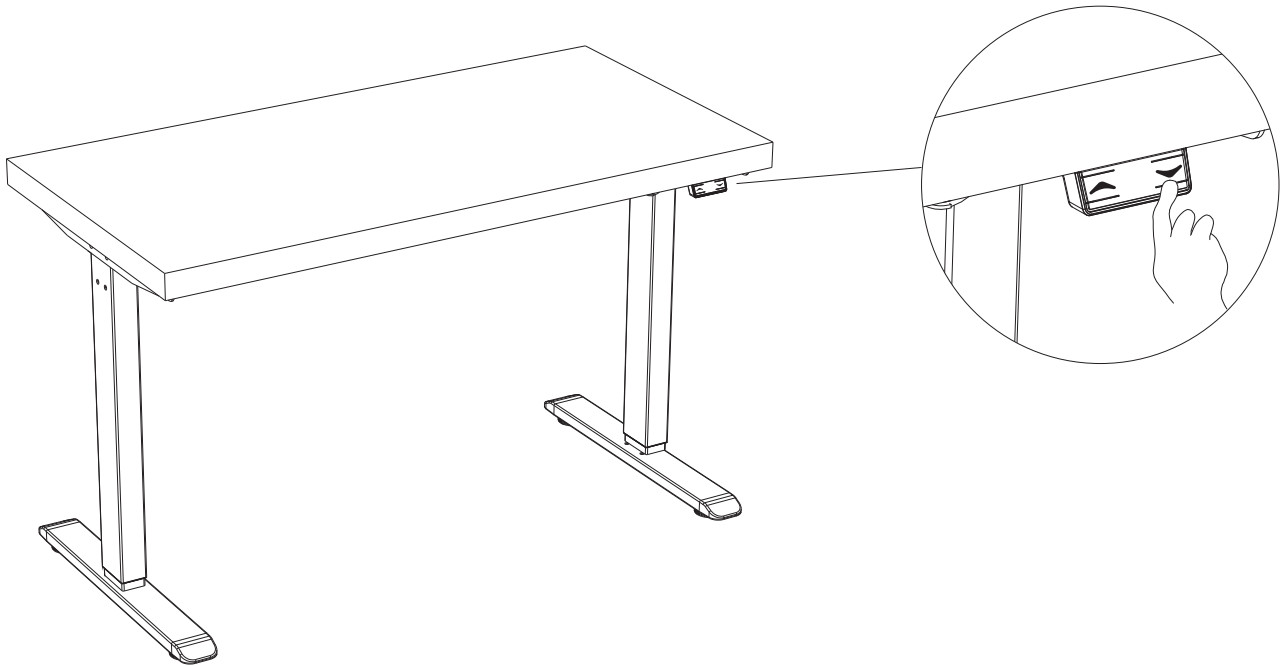
Attach the wires on the desktop with 2 pcs (or more) cable ties.



System Initialization

- 1- Plug the power cord into an outlet or power strip.
- 2- Reduce the desktop to the lowest height, release the button.
- 3- Press and hold the “∨” button until a beep sound is heard.
- 4- Your table is ready for use.

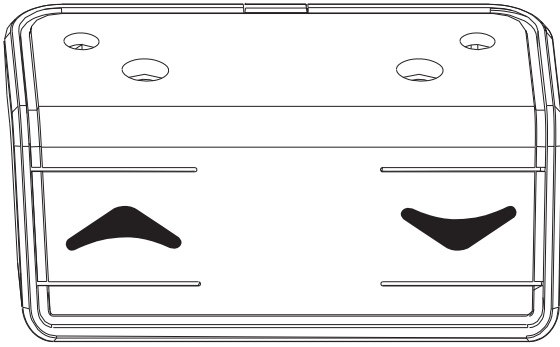
Noted: After the desk is installed, the system must be reset.



Up And Down Operation

- 1- Press and hold “∧” or “∨” button can reach the desired height.

Error Code Instruction



INSTRUCTIONS FOR “E04”

- 1- When “E04” displayed on the keypad screen, it means keypad loose connection with control box.
- 2- Check the keypad cable and make sure the connection with control box is secure.

INSTRUCTIONS FOR “E05”

- 1- When “E05” displayed on the keypad screen, the table stop running because it meet the obstacles, during up and down operation.
- 2- Loose the button, after “E05” disappeared, re-start operation.

INSTRUCTIONS FOR “E08”

- 1- When “E08” displayed on the keypad screen, the worksurface with slight inclination.
- 2- Reset the system, see step#8 above.

INSTRUCTIONS FOR “E11”

- 1- When “E11” displayed on the keypad screen, the motor wire didn’t connected with control box.
- 2- Check motor wire and make sure the connection with control box is secure.

INSTRUCTIONS FOR “RST”

- 1- When “RST” displayed on the keypad screen, it means you release the “ √ ” button before you hear a “beep” sound.
- 2- Reset the system again, see step#8 above.

INSTRUCTIONS FOR “HOT”

- 1- When “HOT” displayed on the keypad screen, it means your cumulative operation of up and down running over 2 minutes, the system will stop running and protect the motors.
- 2- There will be 18 minutes can not operate the table running, after 18 minutes, the table can return to normal use.